

我们为您提供灵活、全方位的主轴技术！

有史以来，SPL一直以用户的技术要求为工作重心。正因如此，我们的第一批产品就是根据用户的需求而专门设计制造的特种主轴。

我们的目标永远是提供迅速、灵活、智能的解决方案，以此帮助用户提高竞争力。

因此，自成立以来，SPL对工程设计、精密加工、配备创新测试台的组件安装，当然还有全方位为用户服务等各个方面均一视同仁地不断进行扩建、改进。

通过持续的发展，我们能够为用户提供一整套的优质产品和服务，使您的机床、设备或是测试台都能够表现出最佳技术性能，并具有良好的经济效益。



We are a flexible and versatile provider of spindle technology

The individual technical requirements of our customers have always been central to the way we work at SPL. The very first products we manufactured were spindle units designed and constructed to precise customer specification.

We aim to carry on providing fast, flexible and intelligent solutions. In this way, we can help you to retain your own competitive edge.

Since SPL was founded, we have focused on developing and improving in equal measure our engineering, our precision manufacturing, our use of innovative test rigs in the assembly process and, of course, our all-round customer service.

Thanks to our ongoing development programme, we are able to offer a package that ensures your machine tools, production lines and test rigs deliver the best possible results in terms of both technology and profits.

SPL Spindel und Präzisionslager GmbH

Am Gewerbegebiet 7
04720 Döbeln 德伯尔恩
Germany 德国
电话: +49 3431 6784-0
邮箱: spl@spl-spindel.de

www.spl-spindel.de



SPL Spindel und Präzisionslager GmbH

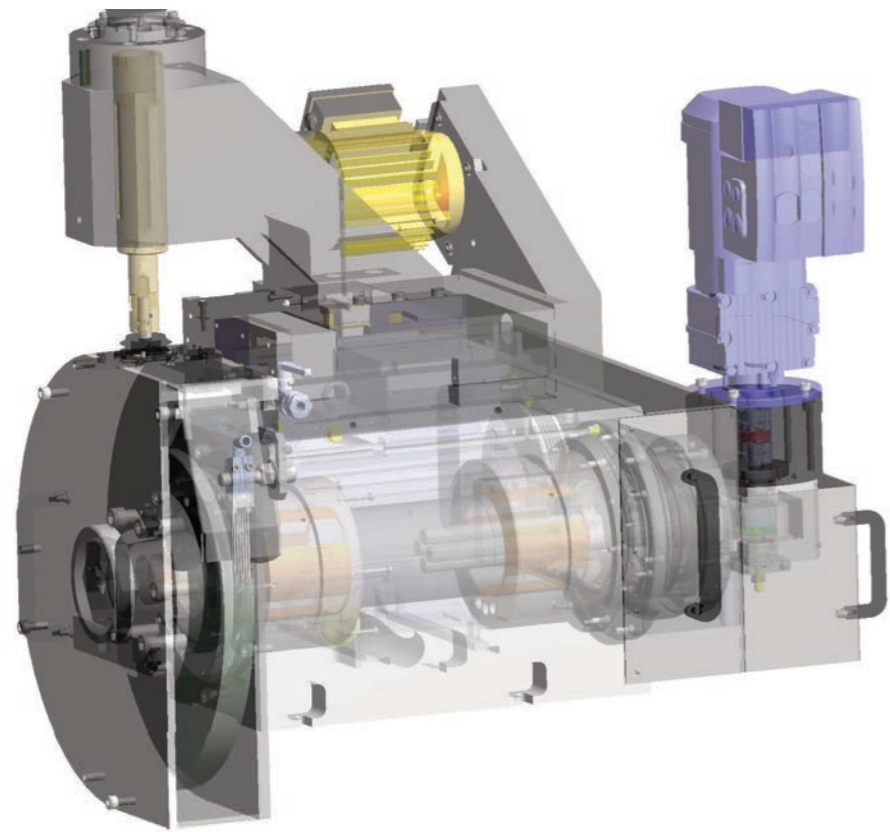


机床主轴

Spindles for machine tools

SPL 主轴单元

SPL Spindle Units



针对用户需求而设计的最优化的产品

凭借完整的工程设计、精密加工、装配流程以及全方位的客户服务，我们将成为您在机械制造领域的强力伙伴。

利用顶尖技术为用户提高竞争力 - 这是我们的自我要求。

因此，我们向用户提供多方位的主轴产品：

- 动压、静压、滚动轴承系统
- 各种不同的皮带和连轴方案的驱动方式
- 异步、同步和力矩电机的直接驱动
- 机电一体化的主轴系统

Customized spindle concepts - optimal designed products

With the complete service package of engineering, precision manufacturing, assembly process and our all-round customer service we are your competent partner for mechanical engineering.

Technological excellence as contribution to economic capacity of customers - that's our demand.

That is why our range of products is versatile:

- hydrodynamic bearings, hydrostatic bearings, anti-friction bearings
- drive systems for various belt driven and coupled drive configurations
- direct drive systems utilizing asynchronous, synchronous, and torque motors
- electromechanical spindle systems

SPL 主轴技术

SPL Spindle Technology

针对用户技术需求的智能化解决方案

SPL是德国萨克森州机床工业界的一家创新型企业，其业务重心是为各类不同的磨床、车床和铣床以及加工中心和测试台开发和制造主轴系统。

全球范围内的主轴服务进一步完善了我们的业务，除了配套的辅助设备，SPL还能提供技术咨询、故障诊断以及修理服务 - 甚至针对其它厂家的产品。

通过与各研究机构和技术高校的紧密合作，我们的产品在尖端技术的影响下不断地发展和进步，从而生产出让客户在主轴性能和生产力方面处于领先地位的产品。

Intelligent solutions for your technical requirements

SPL is an innovative company that belongs to the State of Saxony Industrial Machinery Association. Our core business is the design, development, and manufacture of spindle products and systems for the Grinding, Milling, Turning, and Test Stand Application industries.

Our worldwide presence allows us to provide global support for all types of spindle products and systems. Our services include technical assistance, analysis, and full repair service for any make and brand of spindle products.

Through close co-operation with various research institutions and technical high schools, our products are continually subject to cutting edge technologies and enhancements resulting in products that allow you, the customer, to remain on the forefront of spindle performance and productivity.

